



Tee, aluminum EN AW-6082/3.2315, DN 25 ISO-KF

PFEIFFER 

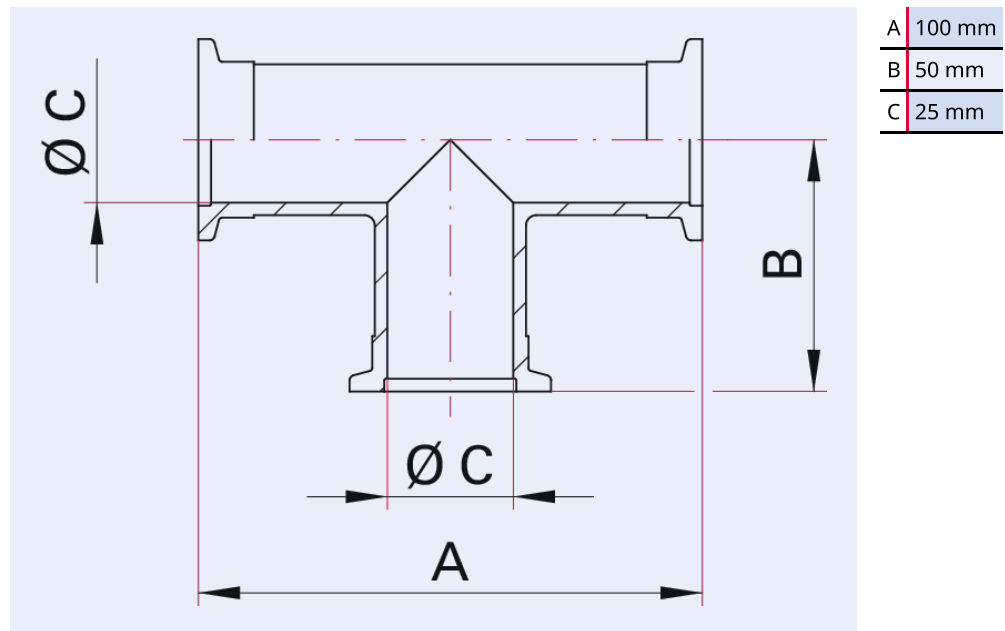
T-piece



Illustration only

Tee, aluminum EN AW-6082/3.2315, DN 25 ISO-KF

Dimensions



Technical Data

Tee, aluminum EN AW-6082/3.2315,
DN 25 ISO-KF

Materials in contact with media	Aluminum 3.2315/EN AW-6082
Temperature range	196 - 150 °C
Connection flange	DN 25 ISO-KF
Pressure range	$1 \cdot 10^{-8}$ hPa - $5 \cdot 10^2$ hPa over pressure
Temperature range max.	150 °C 302 °F 423.15 K
Temperature range min.	196 °C 320.8 °F 77.15 K

Order number	Tee, aluminum EN AW-6082/3.2315, DN 25 ISO-KF
Tee, aluminum EN AW-6082/3.2315, DN 25 ISO-KF	110RTS025



Errors and/or changes excepted. - 5/14/2025

Are you looking for an optimum vacuum solution?

Talk to us:

Pfeiffer Vacuum Components & Solutions GmbH Germany

T +49 551 99963-0

info-cs@pfeiffer-vacuum.com

Or scan the barcode, to visit our web page:



<https://webportal.pfeiffer-vacuum.com/global/en/contact>

Follow Us On Social Media

#pfeiffervacuum



www.pfeiffer-vacuum.com

PFEIFFER 