



# Reducer flange, stainless steel 304L, DN 250-040 CF

---



# Reducing flange

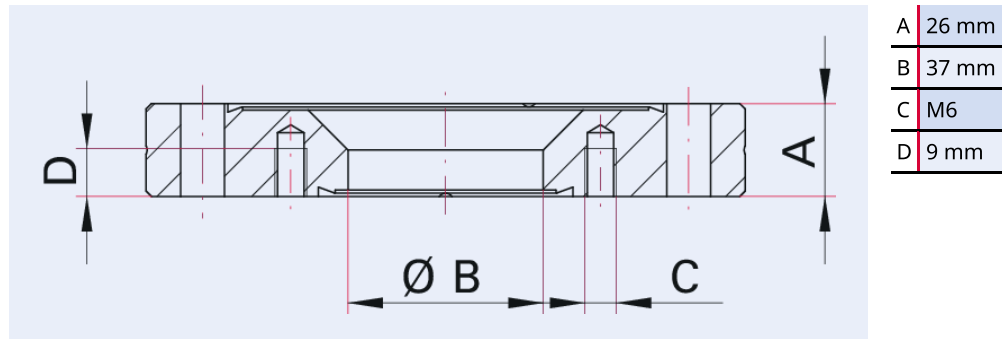


Illustration only

## Reducer flange, stainless steel 304L, DN 250-040 CF

- The reduced-size flange has blind tapped holes. Make sure the screws used for installation are in the correct length

### Dimensions



Technical Data	Reducer flange, stainless steel 304L, DN 250-040 CF
Materials in contact with media	Stainless steel (AISI 304L)
Number of screws	6 Pieces
Nominal diameter reduced	DN 40 CF
Temperature range	196 – 300 °C
Connection flange	DN 250 CF – DN 40 CF
Pressure range	$1 \cdot 10^{-12}$ hPa – to ambient pressure
Temperature range max.	300 °C   572 °F   573.15 K
Temperature range min.	196 °C   320.8 °F   77.15 K

Order number	Reducer flange, stainless steel 304L, DN 250-040 CF
Reducer flange, stainless steel 304L, DN 250-040 CF	420FLR250-040



Errors and/or changes excepted. - 5/14/2025

Are you looking for an optimum vacuum solution?

Talk to us:

**Pfeiffer Vacuum Components & Solutions GmbH Germany**

**T +49 551 99963-0**

**info-cs@pfeiffer-vacuum.com**

Or scan the barcode, to visit our web page:



<https://webportal.pfeiffer-vacuum.com/global/en/contact>

Follow Us On Social Media

#pfeiffervacuum



[www.pfeiffer-vacuum.com](http://www.pfeiffer-vacuum.com)

**PFEIFFER** 