



**Viewport, stainless
steel / sapphire glass,
DN 16 ISO-KF**



PFEIFFER 

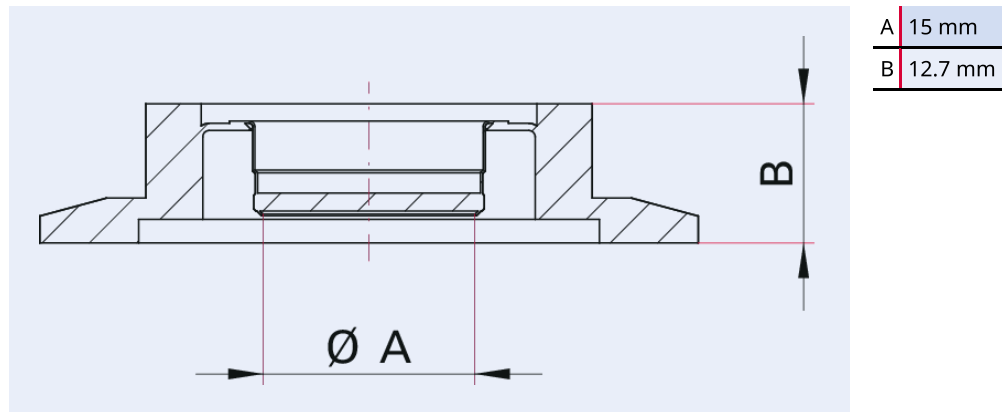


Illustration only

Viewport, stainless steel / sapphire glass, DN 16 ISO-KF

- Stainless steel frame; glass soldered
- Transmission in IR spectrum to 4500 nm
- Caution! Risk of injury by glass splinters. Do not use viewports which show apparent damage

Dimensions



Technical Data	Viewport, stainless steel / sapphire glass, DN 16 ISO-KF
Flange, material	Stainless steel
Temperature range	100 – 350 °C
Sight glass	Sapphire glass
Heat up and cool down rate	≤20 K/min
Connection flange	DN 16 ISO-KF
Pressure range	$1 \cdot 10^{-8}$ hPa – $5 \cdot 10^2$ hPa over pressure
Temperature range max.	350 °C 662 °F 623.15 K
Temperature range min.	100 °C 148 °F 173.15 K

Order number	Viewport, stainless steel / sapphire glass, DN 16 ISO-KF
Viewport, stainless steel / sapphire glass, DN 16 ISO-KF	120GSG016-saphir



Errors and/or changes excepted. - 5/14/2025

Are you looking for an optimum vacuum solution?

Talk to us:

Pfeiffer Vacuum Components & Solutions GmbH Germany

T +49 551 99963-0

info-cs@pfeiffer-vacuum.com

Or scan the barcode, to visit our web page:



<https://webportal.pfeiffer-vacuum.com/global/en/contact>

Follow Us On Social Media

#pfeiffervacuum



www.pfeiffer-vacuum.com

PFEIFFER 