



**Reducer centering ring,  
aluminum, NBR,  
DN 40 ISO-KF**

---

**PFEIFFER** 

# Reducing centering ring

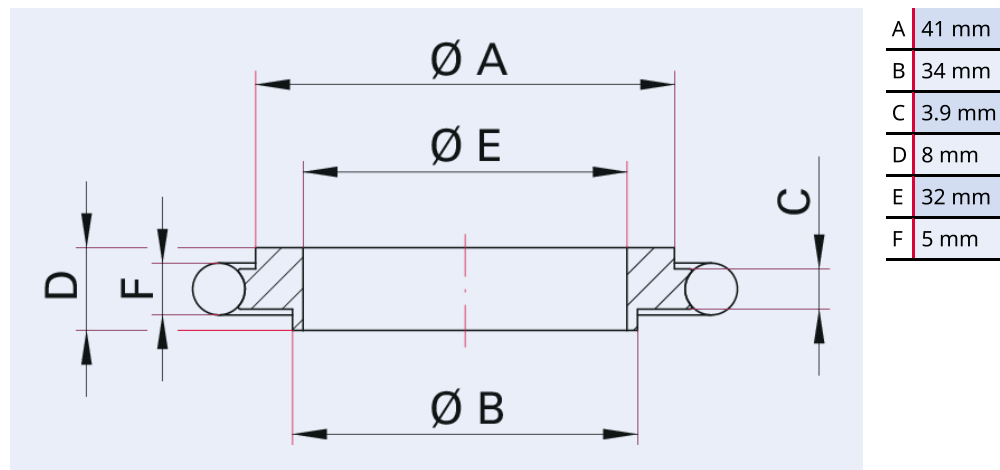


Illustration only

## Reducer centering ring, aluminum, NBR, DN 40 ISO-KF

- Material: O-ring in various materials

## Dimensions



## Technical Data

Technical Data	Reducer centering ring, aluminum, NBR, DN 40 ISO-KF
Materials in contact with media	Aluminum EN AW-6061
O-ring material	NBR
Nominal diameter reduced	DN 32 ISO-KF
Temperature range	25 - 120 °C
Connection flange	DN 40 ISO-KF / DN 32 ISO-KF
Temperature range max.	120 °C   248 °F   393.15 K
Temperature range min.	25 °C   13 °F   248.15 K

<b>Order number</b>	<b>Reducer centering ring, aluminum, NBR, DN 40 ISO-KF</b>
Reducer centering ring, aluminum, NBR, DN 40 ISO-KF	111ZRR040



Errors and/or changes excepted. - 5/14/2025

Are you looking for an optimum vacuum solution?

Talk to us:

**Pfeiffer Vacuum Components & Solutions GmbH Germany**

**T +49 551 99963-0**

**info-cs@pfeiffer-vacuum.com**

Or scan the barcode, to visit our web page:



<https://webportal.pfeiffer-vacuum.com/global/en/contact>

Follow Us On Social Media

#pfeiffervacuum



[www.pfeiffer-vacuum.com](http://www.pfeiffer-vacuum.com)

**PFEIFFER** 