

Thermocouple feedthrough, type K, 4 pairs, DN 40 CF



PFEIFFER 

Thermocouple feedthrough, type K

PFEIFFER 

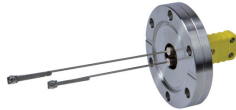
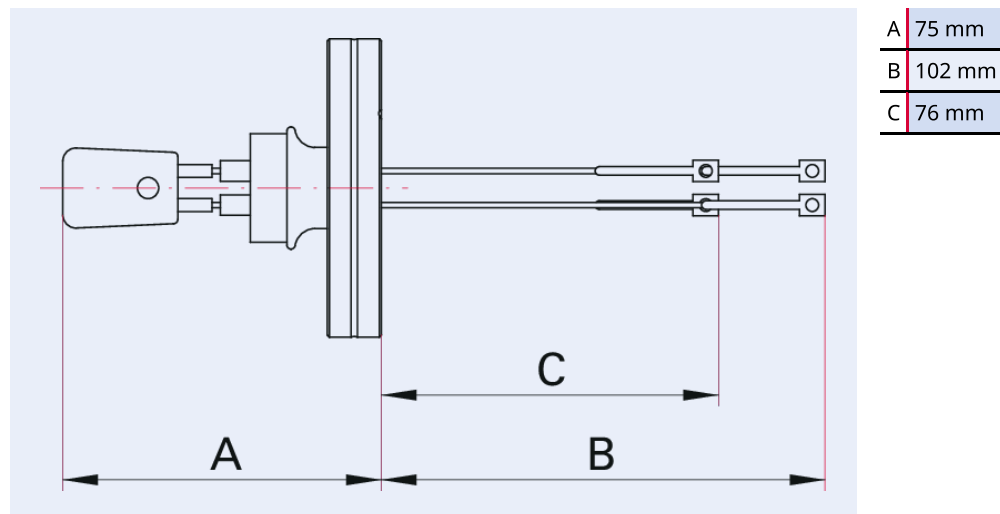


Illustration only

Thermocouple feedthrough, type K, 4 pairs, DN 40 CF

- 4 Thermocouple pairs type K: Chromel (+) /Alumel (-)
- Thermocouple types C, E, J, T, N, R, S on request
- Vacuum-side lugs with screw connections for the thermo wire (including screws)
- Including atmosphere sided miniature plug (-65 to 125 °C)

Dimensions



| Technical Data | Thermocouple feedthrough, type K, 4 pairs, DN 40 CF |
|---------------------------------|---|
| Materials in contact with media | Flange: Stainless steel |
| Temperature range (vacuum side) | 100 – 300 °C |
| Tightness | $1 \cdot 10^{-11}$ Pa m ³ /s $7.5 \cdot 10^{-11}$ Torr l/s $1 \cdot 10^{-10}$ mbar l/s |
| Heat up and cool down rate | ≤20 K/min |
| Connection flange | DN 40 CF |
| Pressure range | $1 \cdot 10^{-11}$ hPa – to ambient pressure |

| | |
|--|--|
| Order number | Thermocouple feedthrough, type K, 4 pairs, DN 40 CF |
| Thermocouple feedthrough, type K, 4 pairs, DN 40 CF | 420XTK040-4 |



Errors and/or changes excepted. - 5/14/2025

Are you looking for an optimum vacuum solution?
Talk to us:
Pfeiffer Vacuum Components & Solutions GmbH Germany
T +49 551 99963-0
info-cs@pfeiffer-vacuum.com

Or scan the barcode, to visit our web page:



<https://webportal.pfeiffer-vacuum.com/global/en/contact>

Follow Us On Social Media
#pfeiffervacuum



www.pfeiffer-vacuum.com

PFEIFFER 