

Full nipple

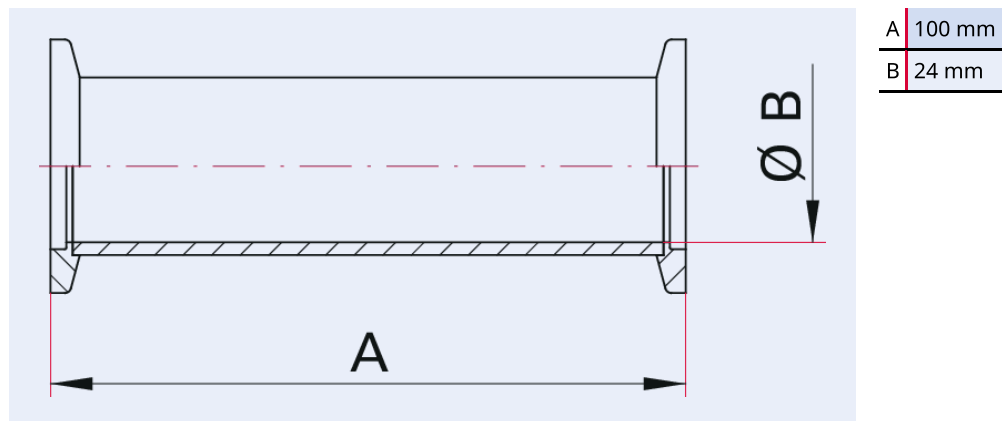


Full nipple, aluminum EN AW-6082/3.2315, DN 25 ISO-KF

- Custom lengths on request

Illustration only

Dimensions



Technical Data

Full nipple, aluminum EN AW-6082/3.2315, DN 25 ISO-KF

| | |
|---------------------------------|--|
| Materials in contact with media | Aluminum 3.2315/EN AW-6082 |
| Temperature range | 196 – 150 °C |
| Connection flange | DN 25 ISO-KF |
| Pressure range | $1 \cdot 10^{-8}$ hPa – $5 \cdot 10^2$ hPa over pressure |
| Temperature range max. | 150 °C 302 °F 423.15 K |
| Temperature range min. | 196 °C 320.8 °F 77.15 K |

| Order number | Full nipple, aluminum EN AW-6082/3.2315, DN 25 ISO-KF |
|--|--|
| Full nipple, aluminum EN AW-6082/3.2315, DN 25 ISO-KF | 110RZS025 |



Errors and/or changes excepted. - 5/14/2025

Are you looking for an optimum vacuum solution?

Talk to us:

Pfeiffer Vacuum Components & Solutions GmbH Germany

T +49 551 99963-0

info-cs@pfeiffer-vacuum.com

Or scan the barcode, to visit our web page:



<https://webportal.pfeiffer-vacuum.com/global/en/contact>

Follow Us On Social Media

#pfeiffervacuum



www.pfeiffer-vacuum.com

PFEIFFER 