



Medium vacuum chamber, vertical, KVG, DN 320

PFEIFFER 

Medium vacuum chamber

PFEIFFER 

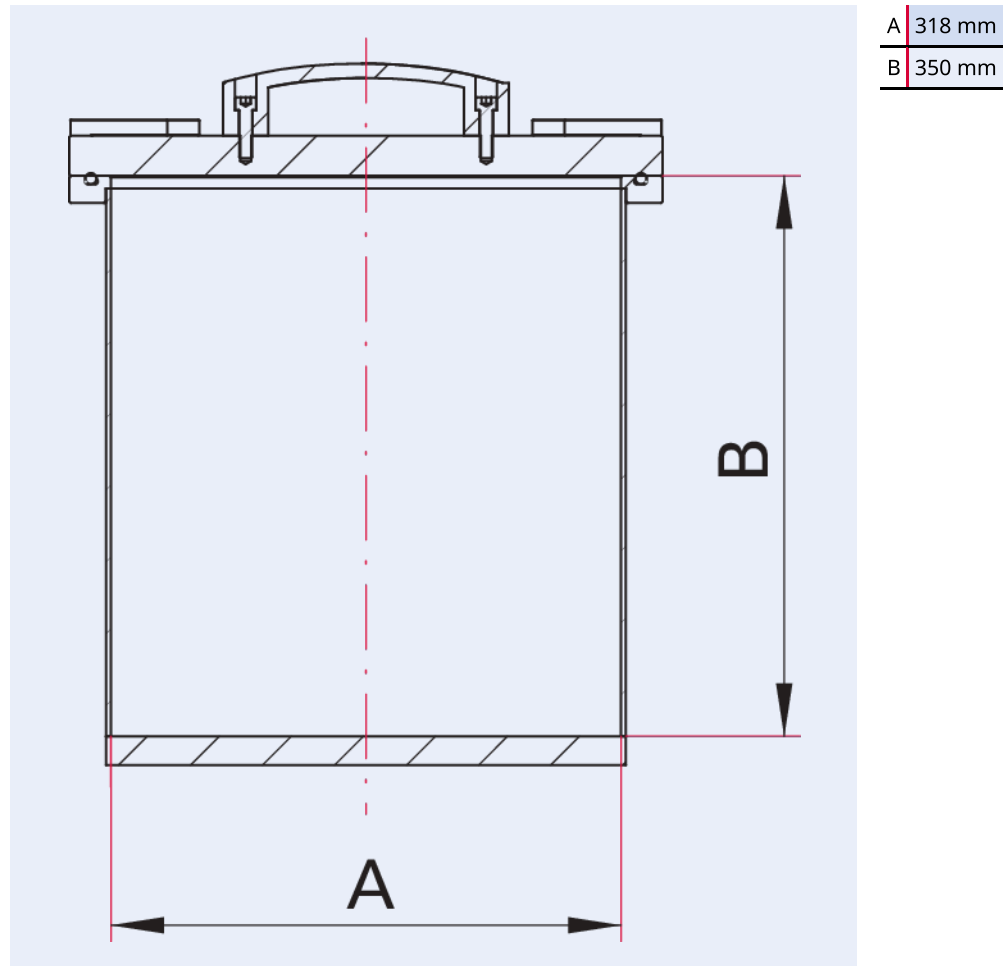


Illustration only

Medium vacuum chamber, vertical, KVG, DN 320

- Cylindrical, vertical body with a welded flat bottom and top flange with FKM seal
- Acrylic glass cover (PMMA) with handles and external guides for easy installation and protection of the sealing surface when put down
- Surface inside and outside glass-bead blasted
- Chamber with mounting straps
- Chamber ports available (accessories)

Dimensions



Technical Data	Medium vacuum chamber, vertical, KVG, DN 320
Temperature range	0 - 40 °C
Tightness	$<1 \cdot 10^{-9}$ Pa m ³ /s $<7.5 \cdot 10^{-9}$ Torr l/s $<1 \cdot 10^{-8}$ mbar l/s
Connection flange	DN 320
Pressure range	$1 \cdot 10^{-5}$ hPa - to ambient pressure
Material	Chamber body made from stainless steel 304 (1.4301), acrylic glass cover (PMMA)
Temperature range max.	40 °C 104 °F 313.15 K
Temperature range min.	0 °C 32 °F 273.15 K

Order number	Medium vacuum chamber, vertical, KVG, DN 320
Medium vacuum chamber, vertical, KVG, DN 320	820KVG320-350



Errors and/or changes excepted. - 5/14/2025

Are you looking for an optimum vacuum solution?
Talk to us:
Pfeiffer Vacuum Components & Solutions GmbH Germany
T +49 551 99963-0
info-cs@pfeiffer-vacuum.com

Or scan the barcode, to visit our web page:



<https://webportal.pfeiffer-vacuum.com/global/en/contact>

Follow Us On Social Media
#pfeiffervacuum



www.pfeiffer-vacuum.com

PFEIFFER 