



**Outer centering ring
with inner support ring,
aluminum, FKM,
DN 25 ISO-KF**



PFEIFFER 

Outer centering ring

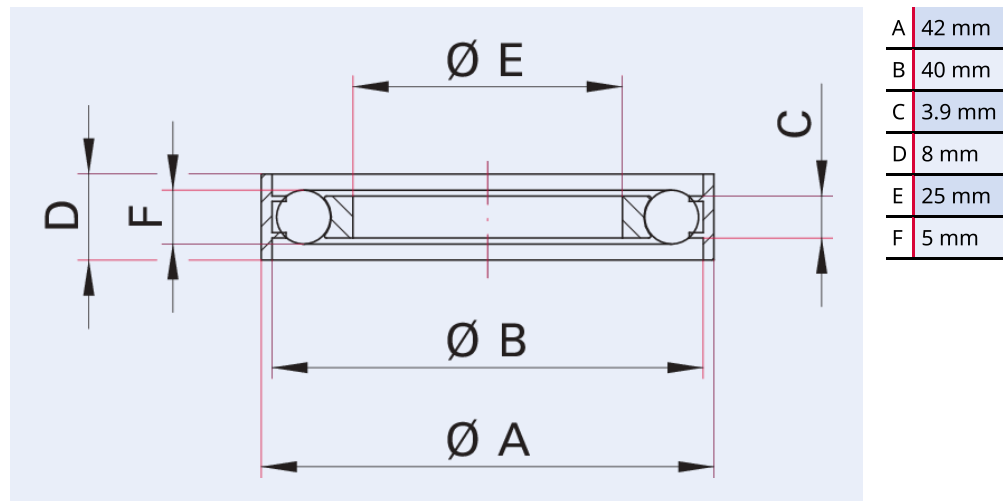


Illustration only

Outer centering ring with inner support ring, aluminum, FKM, DN 25 ISO-KF

- Inner support ring: Stainless steel
- Outer centering ring: Aluminum

Dimensions



Technical Data

| Technical Data | Outer centering ring with inner support ring, aluminum, FKM, DN 25 ISO-KF |
|---------------------------------|---|
| Materials in contact with media | Stainless steel 1.4301 (AISI 304) FKM |
| O-ring material | FKM |
| Temperature range | 15 - 150 °C |
| Connection flange | DN 25 ISO-KF |
| Temperature range max. | 150 °C 302 °F 423.15 K |
| Temperature range min. | 15 °C 5 °F 258.15 K |

| Order number | Outer centering ring with inner support ring, aluminum, FKM, DN 25 ISO-KF |
|---|--|
| Outer centering ring with inner support ring, aluminum, FKM, DN 25 ISO-KF | 112ZAI025 |



Errors and/or changes excepted. - 5/14/2025

Are you looking for an optimum vacuum solution?

Talk to us:

Pfeiffer Vacuum Components & Solutions GmbH Germany

T +49 551 99963-0

info-cs@pfeiffer-vacuum.com

Or scan the barcode, to visit our web page:



<https://webportal.pfeiffer-vacuum.com/global/en/contact>

Follow Us On Social Media

#pfeiffervacuum



www.pfeiffer-vacuum.com

PFEIFFER 