



**Multipin, 10 pins, 700V
DC, 10 A, DN 16 ISO-KF**



PFEIFFER 

Multipin, 10 pins

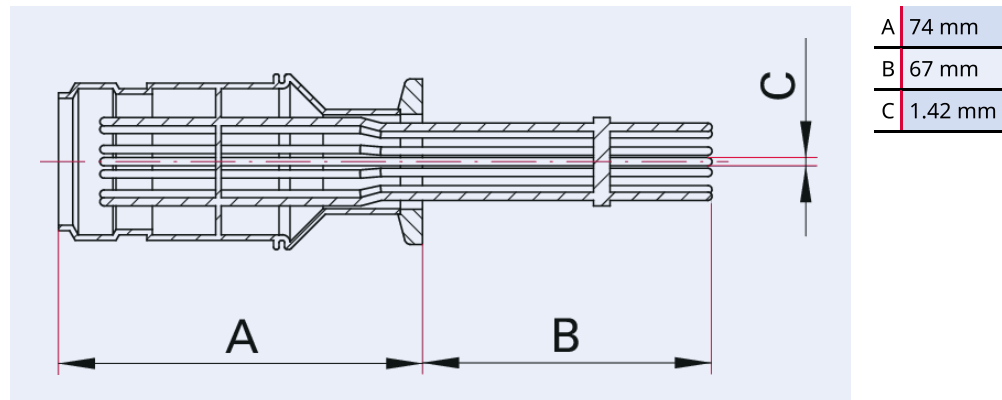


Illustration only

Multipin, 10 pins, 700V DC, 10 A, DN 16 ISO-KF

- Plug with soldering pins included, atmosphere side MIL-C-5015-compliant (-65 to 125 °C)
- Conductor material: alumel
- Flange material: Stainless steel
- Contact in vacuum through soldering or contact clamp XKL 015 A
- The specified voltages and currents refer to the following ambient conditions:
room temperature, outside: dry air, inside: vacuum $< 1 \cdot 10^{-4}$ hPa

Dimensions



Technical Data	Multipin, 10 pins, 700V DC, 10 A, DN 16 ISO-KF
Materials in contact with media	Flange: Stainless steel, Conductor: Alumel
Temperature range (vacuum side)	100 – 300 °C
Input voltage(s)	700 V DC
Tightness	1 · 10 ⁻¹¹ Pa m ³ /s 7.5 · 10 ⁻¹¹ Torr l/s 1 · 10 ⁻¹⁰ mbar l/s
Heat up and cool down rate	≤20 K/min
Feedthrough voltage	700 V DC
Current, total	50 A
Current per pin	10 A
Pins	10
Connection flange	DN 16 ISO-KF
Pressure range	1 · 10 ⁻⁸ hPa – to ambient pressure

Order number	Multipin, 10 pins, 700V DC, 10 A, DN 16 ISO-KF
Multipin, 10 pins, 700V DC, 10 A, DN 16 ISO-KF	120XSS016-10



Errors and/or changes excepted. - 5/14/2025

Are you looking for an optimum vacuum solution?

Talk to us:

Pfeiffer Vacuum Components & Solutions GmbH Germany

T +49 551 99963-0

info-cs@pfeiffer-vacuum.com

Or scan the barcode, to visit our web page:



<https://webportal.pfeiffer-vacuum.com/global/en/contact>

Follow Us On Social Media

#pfeiffervacuum



www.pfeiffer-vacuum.com

PFEIFFER 