



**Coaxial feedthrough,  
SHV-5, grounded shield,  
1 pin, DN 16 ISO-KF**

---

**PFEIFFER** 

# Coaxial feedthrough, SHV-5

PFEIFFER 

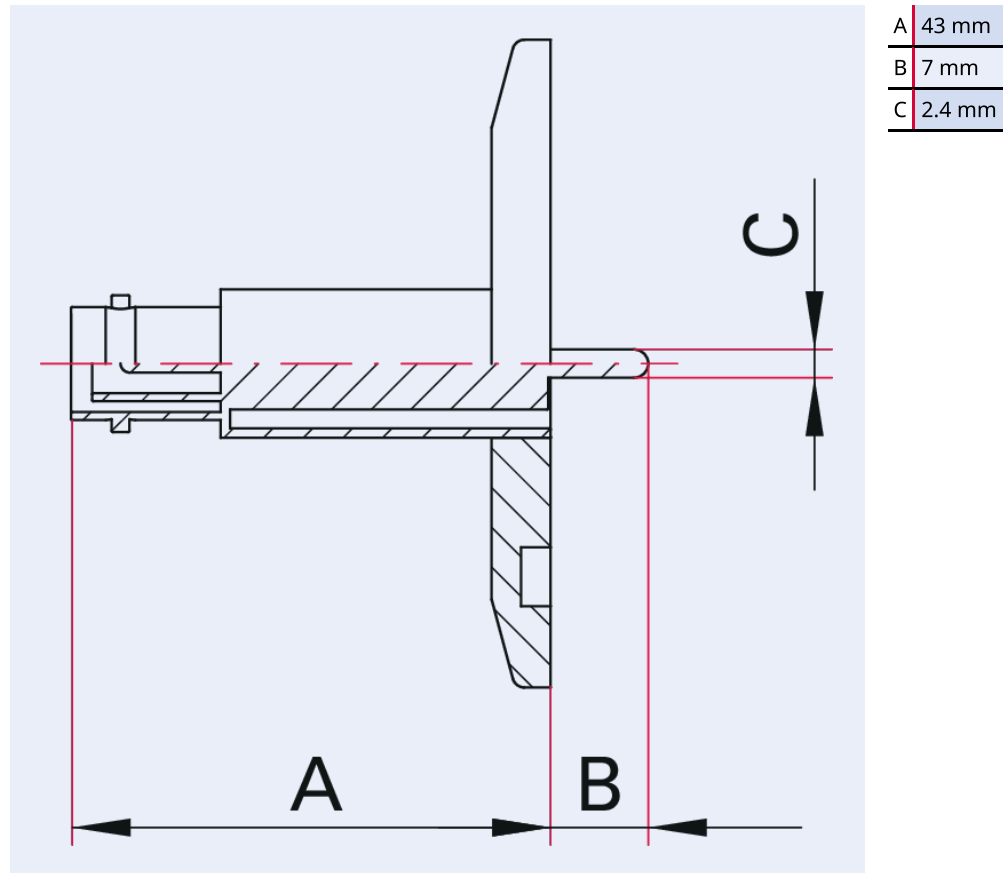


Illustration only

## Coaxial feedthrough, SHV-5, grounded shield, 1 pin, DN 16 ISO-KF

- A grounded shield is when the flange respectively the weld lip have the same potential as the shield
- Flange material: Stainless steel
- Including atmosphere sided plug (-65 to 165 °C)
- The specified voltages and currents refer to the following ambient conditions: room temperature, outside: dry air, inside: vacuum  $< 1 \cdot 10^{-4}$  hPa

## Dimensions



### Technical Data

Technical Data	Coaxial feedthrough, SHV-5, grounded shield, 1 pin, DN 16 ISO-KF
Materials in contact with media	Flange: Stainless steel
Temperature range (vacuum side)	100 – 300 °C
Screening	Grounded shield
Tightness	$1 \cdot 10^{-11}$ Pa m <sup>3</sup> /s   $7.5 \cdot 10^{-11}$ Torr l/s   $1 \cdot 10^{-10}$ mbar l/s
Heat up and cool down rate	≤25 K/min
Feedthrough voltage	5 kV DC
Current	5 A
Pins	1
Connection flange	DN 16 ISO-KF
Pressure range	$1 \cdot 10^{-8}$ hPa – to ambient pressure

### Order number

Order number	Coaxial feedthrough, SHV-5, grounded shield, 1 pin, DN 16 ISO-KF
Coaxial feedthrough, SHV-5, grounded shield, 1 pin, DN 16 ISO-KF	120XSG016-1



Errors and/or changes excepted. - 5/14/2025

Are you looking for an optimum vacuum solution?

Talk to us:

**Pfeiffer Vacuum Components & Solutions GmbH Germany**

**T +49 551 99963-0**

**info-cs@pfeiffer-vacuum.com**

Or scan the barcode, to visit our web page:



<https://webportal.pfeiffer-vacuum.com/global/en/contact>

Follow Us On Social Media

#pfeiffervacuum



[www.pfeiffer-vacuum.com](http://www.pfeiffer-vacuum.com)

**PFEIFFER** 