



**Conical reducing piece,  
stainless steel  
316L/1.4404, DN 25-  
16 ISO-KF**

---



**PFEIFFER** 

# Reducing piece, conical

PFEIFFER 

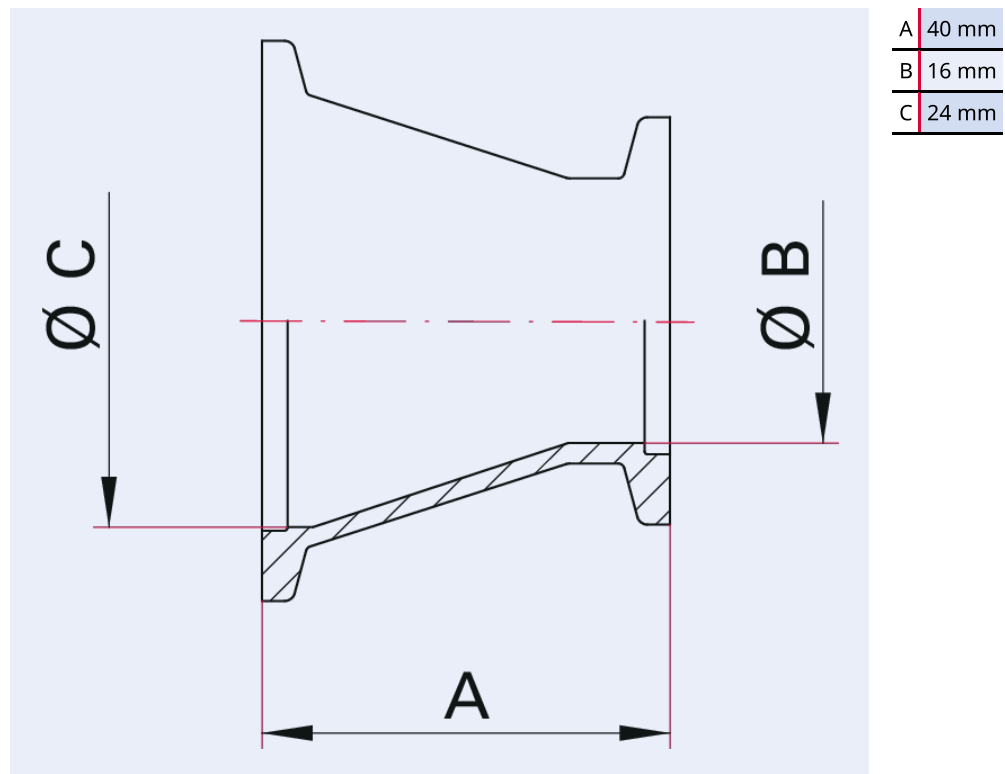


Illustration only

**Conical reducing piece, stainless steel 316L/1.4404, DN 25-16 ISO-KF**

- Flanges according to DIN 28403 and ISO 2861

## Dimensions



<b>Technical Data</b>	<b>Conical reducing piece, stainless steel 316L/1.4404, DN 25-16 ISO-KF</b>
Materials in contact with media	Stainless steel 1.4404 (AISI 316L)
Nominal diameter reduced	DN 16 ISO-KF
Temperature range	196 – 350 °C
Connection flange	DN 25 ISO-KF – DN 16 ISO-KF
Pressure range	1 · 10 <sup>-8</sup> hPa – 5 · 10 <sup>2</sup> hPa over pressure (elastomer seal); 1 · 10 <sup>-9</sup> hPa – 5 · 10 <sup>2</sup> hPa over pressure (metal seal)
Temperature range max.	350 °C   662 °F   623.15 K
Temperature range min.	196 °C   320.8 °F   77.15 K

<b>Order number</b>	<b>Conical reducing piece, stainless steel 316L/1.4404, DN 25-16 ISO-KF</b>
Conical reducing piece, stainless steel 316L/1.4404, DN 25-16 ISO-KF	170RRK025-016-40



Errors and/or changes excepted. - 5/14/2025

Are you looking for an optimum vacuum solution?  
Talk to us:  
**Pfeiffer Vacuum Components & Solutions GmbH Germany**  
T +49 551 99963-0  
info-cs@pfeiffer-vacuum.com

Or scan the barcode, to visit our web page:



<https://webportal.pfeiffer-vacuum.com/global/en/contact>

Follow Us On Social Media  
#pfeiffervacuum



[www.pfeiffer-vacuum.com](http://www.pfeiffer-vacuum.com)

**PFEIFFER** 