



**Full nipple, stainless
steel 304/1.4301,
DN 160 ISO-K**



PFEIFFER 

Full nipple

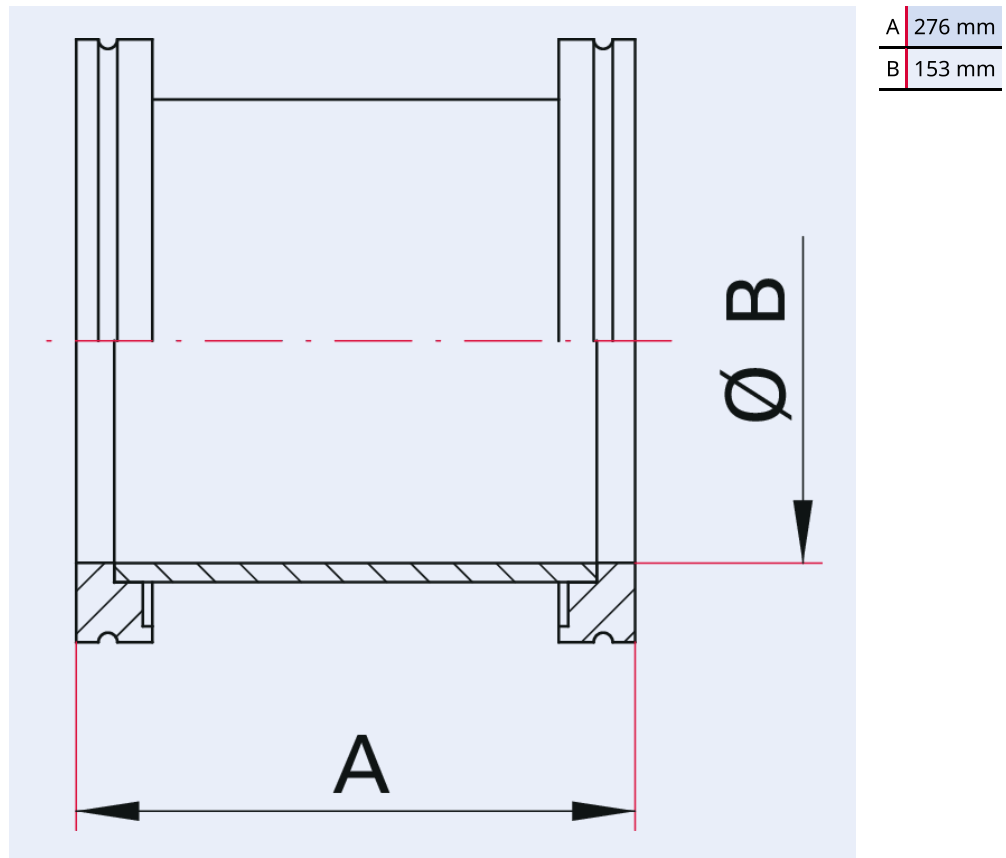
PFEIFFER 



Illustration only

Full nipple, stainless steel 304/1.4301, DN 160 ISO-K

Dimensions



| Technical Data | Full nipple, stainless steel 304/1.4301, DN 160 ISO-K |
|---------------------------------|--|
| Materials in contact with media | Stainless steel 1.4301 (AISI 304) |
| Temperature range | 196 – 300 °C |
| Connection flange | DN 160 ISO-K |
| Pressure range | 1 · 10 ⁻⁸ hPa – 5 · 10 ² hPa over pressure (elastomer seal); 1 · 10 ⁻⁹ hPa – 5 · 10 ² hPa over pressure (metal seal) |
| Temperature range max. | 300 °C 572 °F 573.15 K |
| Temperature range min. | 196 °C 320.8 °F 77.15 K |

| Order number | Full nipple, stainless steel 304/1.4301, DN 160 ISO-K |
|--|--|
| Full nipple, stainless steel 304/1.4301, DN 160 ISO-K | 320RZS160-276 |



Errors and/or changes excepted. - 5/14/2025

Are you looking for an optimum vacuum solution?

Talk to us:

Pfeiffer Vacuum Components & Solutions GmbH Germany

T +49 551 99963-0

info-cs@pfeiffer-vacuum.com

Or scan the barcode, to visit our web page:



<https://webportal.pfeiffer-vacuum.com/global/en/contact>

Follow Us On Social Media

#pfeiffervacuum



www.pfeiffer-vacuum.com

PFEIFFER 