



**Full nipple, stainless
steel 316L/1.4404,
DN 25 ISO-KF**



PFEIFFER 

Full nipple

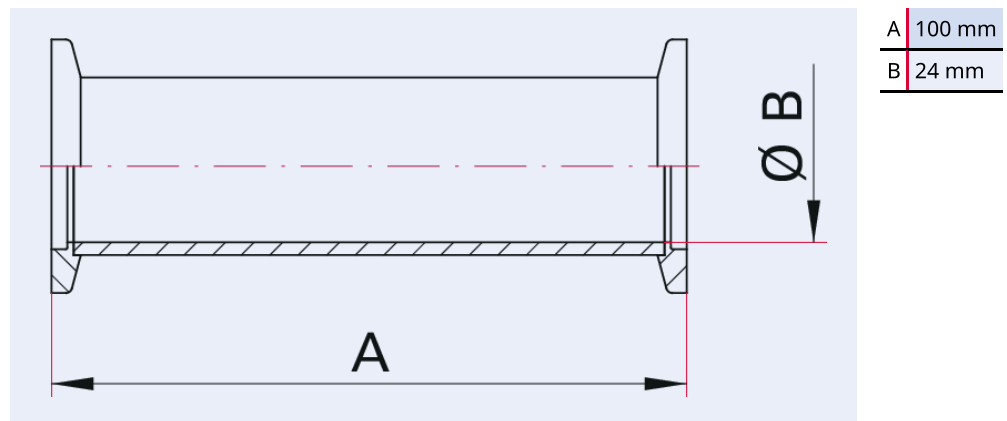


Illustration only

Full nipple, stainless steel 316L/1.4404, DN 25 ISO-KF

- Custom lengths on request

Dimensions



Technical Data

Full nipple, stainless steel 316L/1.4404, DN 25 ISO-KF

| | |
|---------------------------------|--|
| Materials in contact with media | Stainless steel 1.4404 (AISI 316L) |
| Temperature range | 196 – 350 °C |
| Connection flange | DN 25 ISO-KF |
| Pressure range | $1 \cdot 10^{-8}$ hPa – $5 \cdot 10^2$ hPa over pressure (elastomer seal); $1 \cdot 10^{-9}$ hPa – $5 \cdot 10^2$ hPa over pressure (metal seal) |
| Temperature range max. | 350 °C 662 °F 623.15 K |
| Temperature range min. | 196 °C 320.8 °F 77.15 K |

| Order number | Full nipple, stainless steel 316L/1.4404, DN 25 ISO-KF |
|---|---|
| Full nipple, stainless steel 316L/1.4404, DN 25 ISO-KF | 170RZS025 |



Errors and/or changes excepted. - 5/14/2025

Are you looking for an optimum vacuum solution?
Talk to us:
Pfeiffer Vacuum Components & Solutions GmbH Germany
T +49 551 99963-0
info-cs@pfeiffer-vacuum.com

Or scan the barcode, to visit our web page:



<https://webportal.pfeiffer-vacuum.com/global/en/contact>

Follow Us On Social Media
#pfeiffervacuum



www.pfeiffer-vacuum.com

PFEIFFER 