



**Viewport, stainless steel / kodial / lead glass DN 40 CF**

---



**PFEIFFER** 

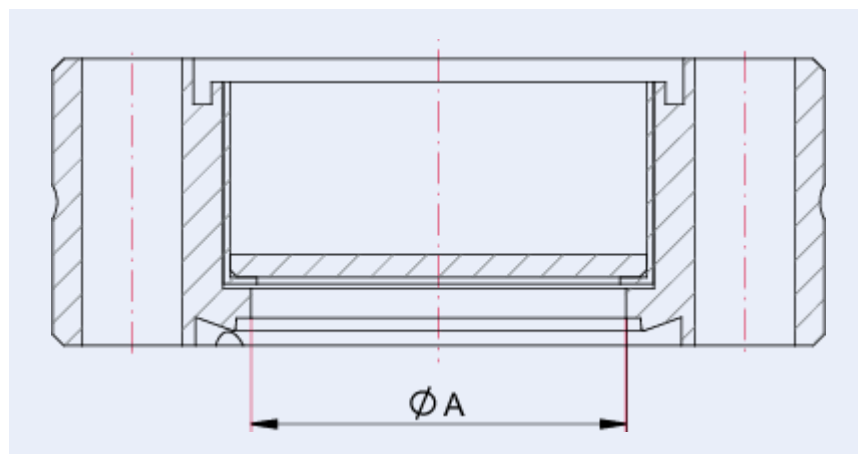


Illustration only

## Viewport, stainless steel / kodial / lead glass DN 40 CF

- Please use annealed copper gaskets or elastomer seals to minimize stress inside the glass
- Always use washers for installation
- Flange sizes DN 16 to DN 250 compatible with ISO 3669:2020
- On the atmosphere side, the lead glass loosely lies on the vacuum glass, fixated with clamps
- Caution! Risk of injury by glass splinters. Do not use viewports which show apparent damage

## Dimensions



A | 33 mm

<b>Technical Data</b>	<b>Viewport, stainless steel / kodial / lead glass DN 40 CF</b>
Temperature range	20 – 200 °C
Heat up and cool down rate	≤3 K/min
Connection flange	DN 40 CF
Pressure range	1 · 10 <sup>-11</sup> hPa – to ambient pressure
Material	Stainless steel / Kodial / Lead Glass
Temperature range max.	200 °C   392 °F   473.15 K
Temperature range min.	20 °C   4 °F   253.15 K

<b>Order number</b>	<b>Viewport, stainless steel / kodial / lead glass DN 40 CF</b>
Viewport, stainless steel / kodial / lead glass DN 40 CF	420GSG040-PB



Errors and/or changes excepted. - 5/14/2025

Are you looking for an optimum vacuum solution?

Talk to us:

**Pfeiffer Vacuum Components & Solutions GmbH Germany**

**T +49 551 99963-0**

**info-cs@pfeiffer-vacuum.com**

Or scan the barcode, to visit our web page:



<https://webportal.pfeiffer-vacuum.com/global/en/contact>

Follow Us On Social Media

#pfeiffervacuum



[www.pfeiffer-vacuum.com](http://www.pfeiffer-vacuum.com)

**PFEIFFER** 