



Viewport, stainless steel / kodial, DN 40 CF



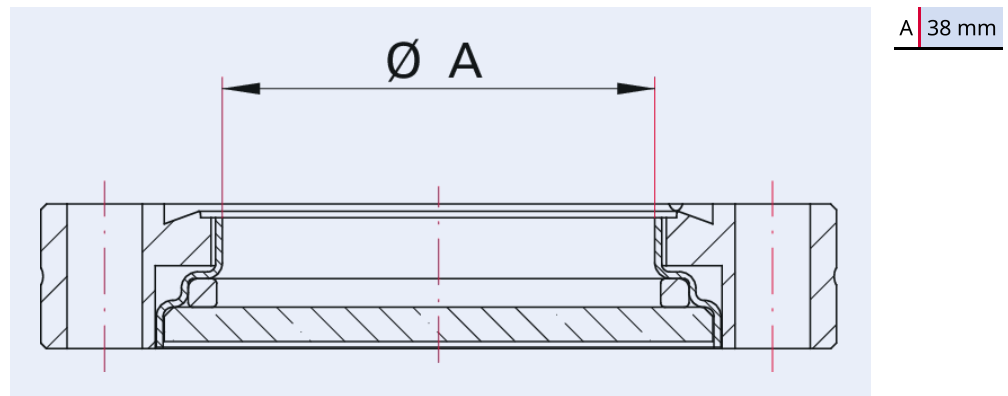


Illustration only

Viewport, stainless steel / kodial, DN 40 CF

- Please use annealed copper gaskets or elastomer seals to minimize stress inside the glass
- Always use washers for installation
- Flange sizes DN 16 to DN 250 compatible with ISO 3669:2020
- Caution! Risk of injury by glass splinters. Do not use viewports which show apparent damage

Dimensions



| Technical Data | Viewport, stainless steel / kodial, DN 40 CF |
|----------------------------|---|
| Temperature range | 20 – 200 °C |
| Heat up and cool down rate | ≤3 K/min |
| Connection flange | DN 40 CF |
| Pressure range | 1 · 10 ⁻¹¹ hPa – to ambient pressure |
| Material | Stainless steel / codial glass |
| Temperature range max. | 200 °C 392 °F 473.15 K |
| Temperature range min. | 20 °C 4 °F 253.15 K |

Order number**Viewport, stainless steel / kodial, DN 40 CF**

Viewport, stainless steel / kodial, DN 40 CF

420GSG040



Errors and/or changes excepted. - 5/14/2025

Are you looking for an optimum vacuum solution?
Talk to us:
Pfeiffer Vacuum Components & Solutions GmbH Germany
T +49 551 99963-0
info-cs@pfeiffer-vacuum.com

Or scan the barcode, to visit our web page:



<https://webportal.pfeiffer-vacuum.com/global/en/contact>

Follow Us On Social Media
#pfeiffervacuum



www.pfeiffer-vacuum.com

PFEIFFER 