



Modular chamber, cover, DN 500



Modular chamber

PFEIFFER 

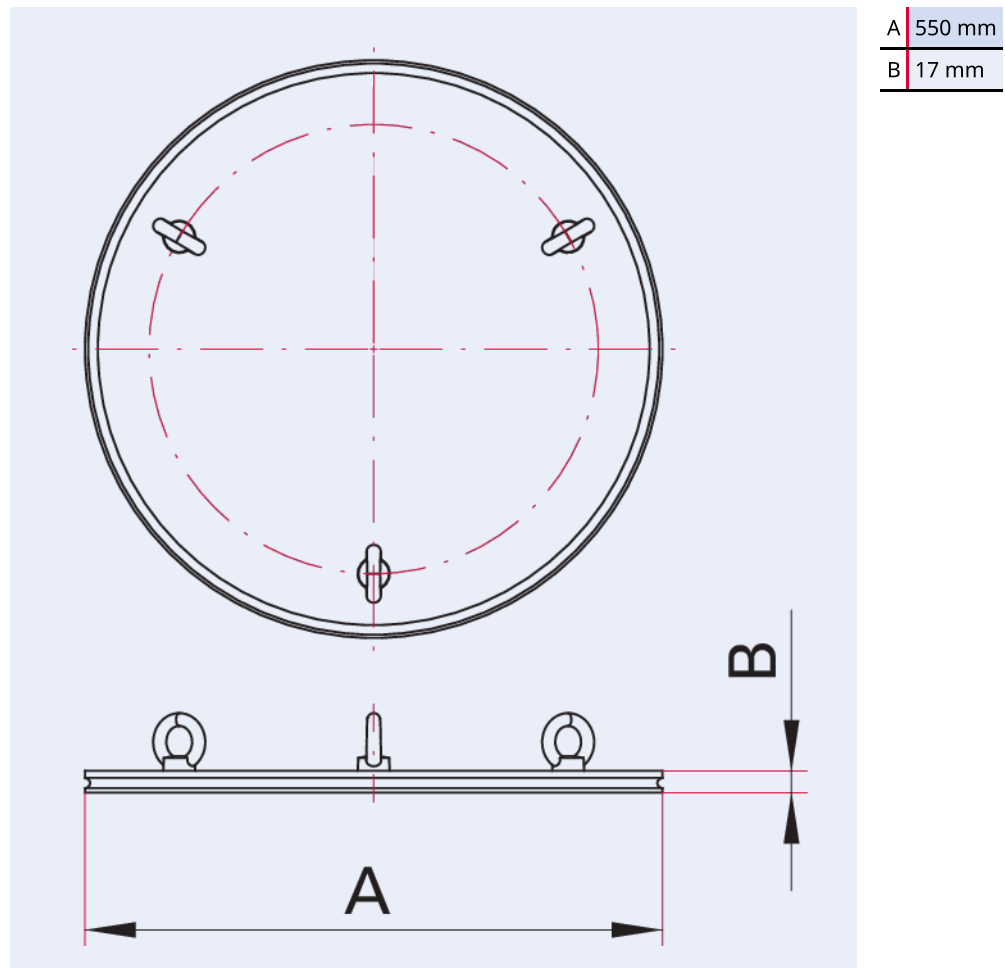


Illustration only

Modular chamber, cover, DN 500

- Modular design for maximum flexibility at any time
- ISO-K blind flange with handles (DN 320) or eye bolts (DN 400/500)
- Smoothed surface

Dimensions



| Technical Data | Modular chamber, cover, DN 500 |
|---------------------------------|---|
| Materials in contact with media | Stainless steel 1.4301 (AISI 304) |
| Temperature range | 15 – 150 °C |
| Tightness | $1 \cdot 10^{-9}$ Pa m ³ /s $7.5 \cdot 10^{-9}$ Torr l/s $1 \cdot 10^{-8}$ mbar l/s |
| Connection flange | DN 500 ISO-K |
| Pressure range | $1 \cdot 10^{-7}$ hPa – $5 \cdot 10^2$ hPa over pressure |
| Temperature range max. | 150 °C 302 °F 423.15 K |
| Temperature range min. | 15 °C 5 °F 258.15 K |

| Order number | Modular chamber, cover, DN 500 |
|--------------------------------|---------------------------------------|
| Modular chamber, cover, DN 500 | 820KMD500 |



Errors and/or changes excepted. - 5/14/2025

Are you looking for an optimum vacuum solution?

Talk to us:

Pfeiffer Vacuum Components & Solutions GmbH Germany

T +49 551 99963-0

info-cs@pfeiffer-vacuum.com

Or scan the barcode, to visit our web page:



<https://webportal.pfeiffer-vacuum.com/global/en/contact>

Follow Us On Social Media

#pfeiffervacuum



www.pfeiffer-vacuum.com

PFEIFFER 