



**EVB 100 PA, Angle
valve, pneumatic, with
PI, without PV**



PFEIFFER 

EVB 100 PA

PFEIFFER 

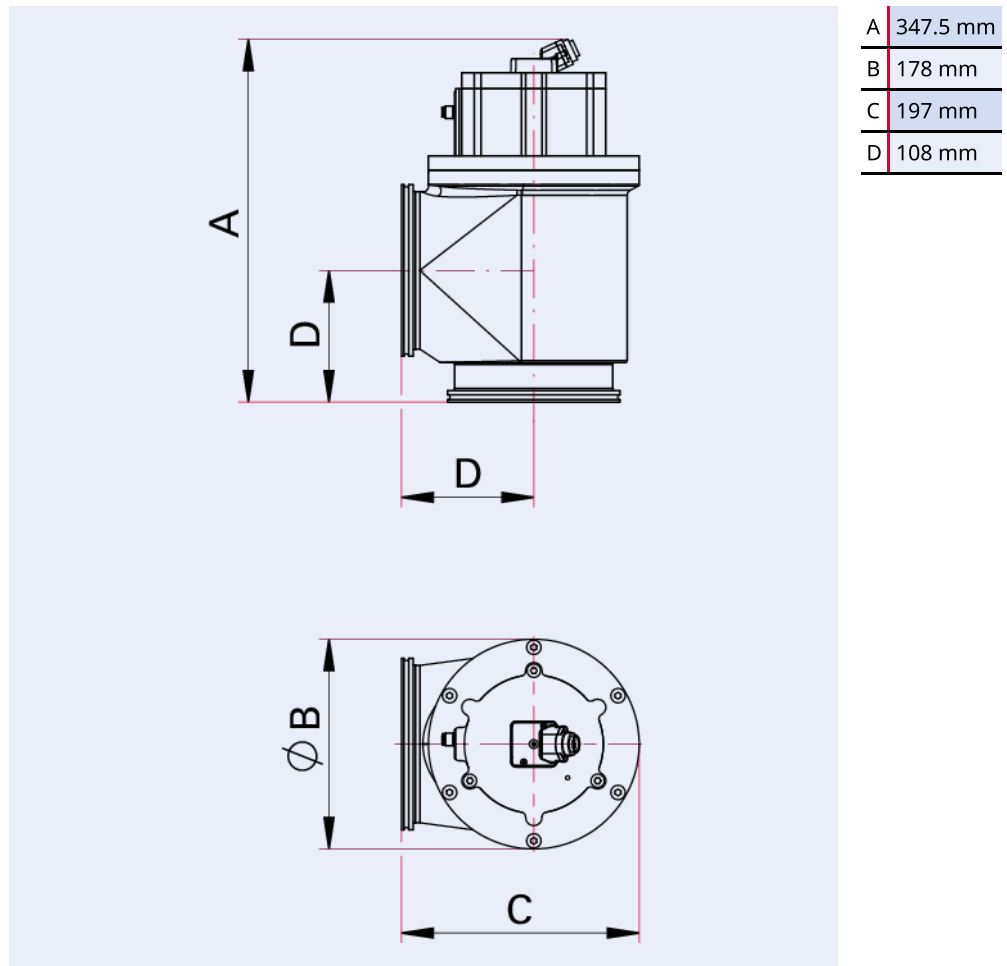


Illustration only

EVB 100 PA, Angle valve, pneumatic, with PI, without PV

- Bellows-sealed
- With visual position indicator
- Normally closed (n. c.)
- Service life: 1 million operating cycles

Dimensions



Technical Data	EVB 100 PA, Angle valve, pneumatic, with PI, without PV
Feedthrough	Stainless steel Bellows
Seal	FKM
Position indicator	Included
Type	Angle valve
Position indicator: Load capacity	50 V AC / DC 5 – 100 mA
Housing	Aluminum
Actuator	Pneumatic
Tightness	$1 \cdot 10^{-10}$ Pa m ³ /s $7.5 \cdot 10^{-10}$ Torr l/s $1 \cdot 10^{-9}$ mbar l/s
Conductance value with molecular flow	440 l/s
Operating pressure min.	$1 \cdot 10^{-8}$ hPa $7.5 \cdot 10^{-9}$ Torr $1 \cdot 10^{-8}$ mbar
Pressure max. (absolute)	2,000 hPa 1,500 Torr 2,000 mbar
Bakeout temperature: actuator, pilot valve	50 °C 122 °F 323.15 K
Bakeout temperature: housing	150 °C 302 °F 423.2 K
Differential pressure in closing direction	2,000 hPa 1,500 Torr 2,000 mbar
Differential pressure in opening direction	1,200 hPa 900 Torr 1,200 mbar
Weight approx.	8.8 kg 19.4 lb
Operating pressure min.	$1 \cdot 10^{-8}$ hPa
Pressure max. (absolute)	2,000 hPa
Connection flange	DN 100 ISO-K
Compressed air (overpressure)	4500 – 7000 hPa
Differential pressure in closing direction	2,000 hPa
Differential pressure in opening direction	1,200 hPa
Weight	8.8 kg

Order number	EVB 100 PA, Angle valve, pneumatic, with PI, without PV
EVB 100 PA, Angle valve, pneumatic, with PI, without PV	310VEP100



Errors and/or changes excepted. - 5/15/2025

Are you looking for an optimum vacuum solution?
Talk to us:
Pfeiffer Vacuum Components & Solutions GmbH Germany
T +49 551 99963-0
info-cs@pfeiffer-vacuum.com

Or scan the barcode, to visit our web page:



<https://webportal.pfeiffer-vacuum.com/global/en/contact>

Follow Us On Social Media
#pfeiffervacuum



www.pfeiffer-vacuum.com

PFEIFFER 