



# Rotary feedthrough, elastomer-sealed

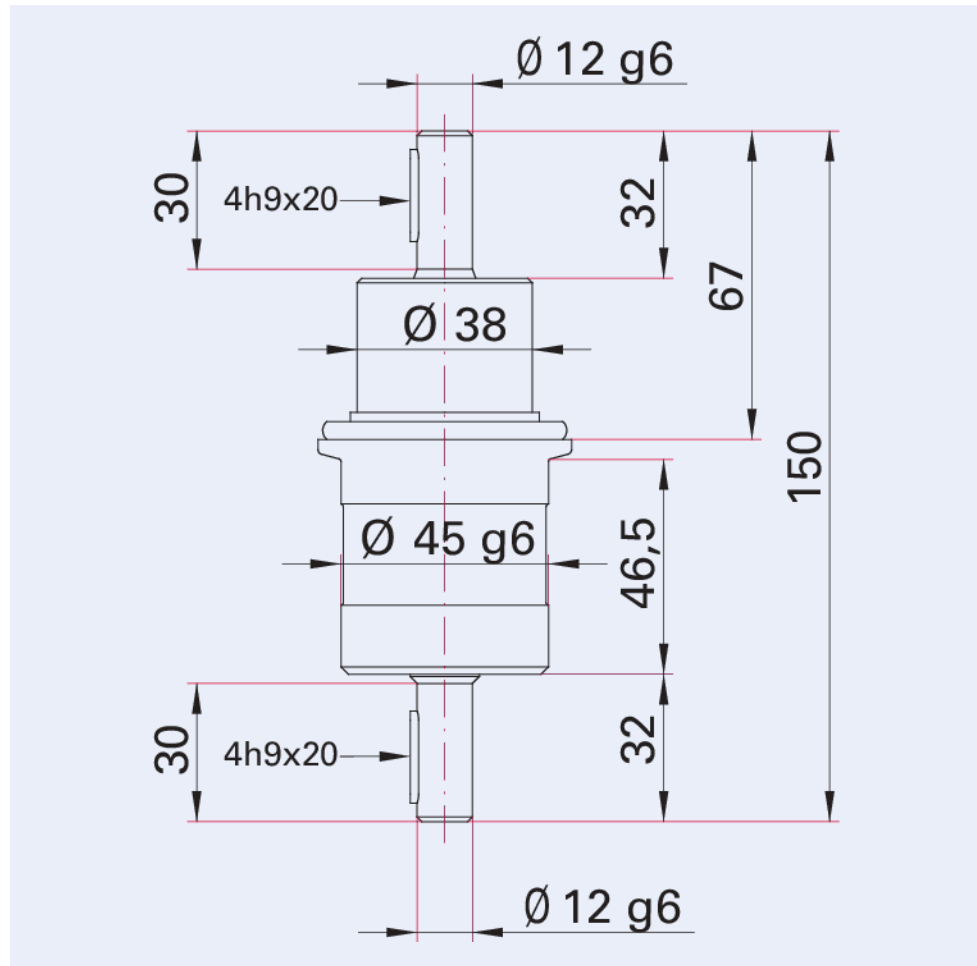


Illustration only

## Rotary feedthrough, DN 40 ISO-KF

- Hardened shaft made of stainless steel
- With FKM shaft seal and ball bearing, greased to be suitable for vacuum
- The rotation speed can be increased by up to a factor of two if reduced service life is acceptable
- With through shaft for directly transmitting high torques
- With integrated FKM O-ring, installation without additional seal
- Tightness static:  $1 \times 10^{-9}$  mbar l/s
- Tightness dynamic:  $1 \times 10^{-9}$  mbar l/s to  $5 \times 10^{-7}$  mbar l/s
- When designing a rotary drive, take care that the rotary feedthrough is not the weakest component of the assembly
- Inadmissible loads damage the rotary feedthrough
- Do not apply force when sliding the coupling piece over the shaft. Consider the admissible levels of axial and radial force.

## Dimensions



## Technical Data

## Rotary feedthrough, DN 40 ISO-KF

|                       |  |
|-----------------------|--|
| Seal                  | FKM  |
| O-ring material       | FKM  |
| Transferred torque    | 25 N m   |
| Operating temperature | ≤ 50 °C  |
| Mounting orientation  | Arbitrary  |
| Tightness (static)    | 1 · 10 <sup>-10</sup> Pa m <sup>3</sup> /s   7.5 · 10 <sup>-10</sup> Torr l/s  <br>1 · 10 <sup>-9</sup> mbar l/s |
| Weight approx.        | 0.6 kg   1.32 lb   |
| Rotation speed        | ≤ 750 rpm  |
| Shaft load, radial    | 250 N  |
| Shaft load, axial     | 60 N   |
| Shaft connection      | ø 12 mm  |
| Connection flange     | DN 40 ISO-KF   |
| Pressure range        | 1 · 10 <sup>-8</sup> hPa - to ambient pressure   |
| Material              | Housing: aluminum; shaft: stainless steel  |

| <b>Order number</b>              | <b>Rotary feedthrough, DN 40 ISO-KF</b> |
|----------------------------------|---|
| Rotary feedthrough, DN 40 ISO-KF | 120MRD040                               |



Errors and/or changes excepted. - 5/15/2025

Are you looking for an optimum vacuum solution?

Talk to us:

**Pfeiffer Vacuum Components & Solutions GmbH Germany**

**T +49 551 99963-0**

**info-cs@pfeiffer-vacuum.com**

Or scan the barcode, to visit our web page:



<https://webportal.pfeiffer-vacuum.com/global/en/contact>

Follow Us On Social Media

#pfeiffervacuum



[www.pfeiffer-vacuum.com](http://www.pfeiffer-vacuum.com)

**PFEIFFER** 