



# LED-lamp for vacuum chamber

---

**PFEIFFER** 

# LED-lamp for vacuum chamber

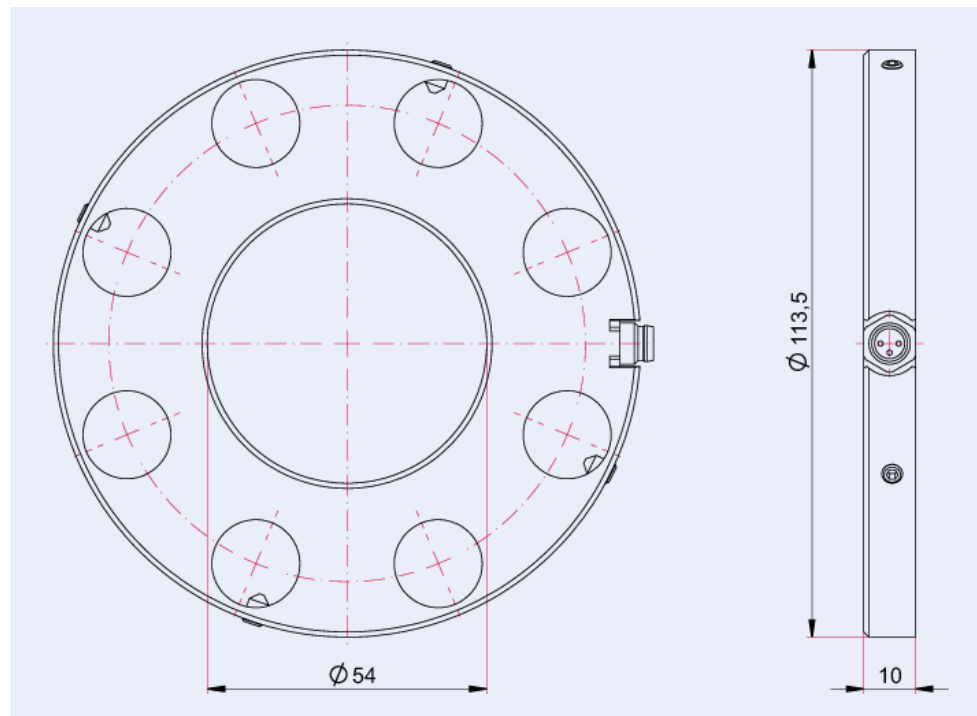


Illustration only

## LED-lamp for vacuum chamber

- For illuminating a vacuum chamber through a viewport
- Color temperature: 6500 K
- Light flux: 434 lm
- Connector: M8, three pins
- Incl. plug with cable (10 m), socket enclosed

## Dimensions



<b>Technical Data</b>	<b>LED-lamp for vacuum chamber</b>
Temperature range	20 – 50 °C
Input voltage(s)	24 V DC
Power consumption max.	5.3 W
Connection flange	DN 63 CF
Material	Aluminum
Temperature range max.	50 °C   122 °F   323.15 K
Temperature range min.	20 °C   4 °F   253.15 K

<b>Order number</b>	<b>LED-lamp for vacuum chamber</b>
LED-lamp for vacuum chamber	410LED063



Errors and/or changes excepted. - 5/15/2025

Are you looking for an optimum vacuum solution?  
Talk to us:  
**Pfeiffer Vacuum Components & Solutions GmbH Germany**  
T +49 551 99963-0  
[info-cs@pfeiffer-vacuum.com](mailto:info-cs@pfeiffer-vacuum.com)

Or scan the barcode, to visit our web page:



<https://webportal.pfeiffer-vacuum.com/global/en/contact>

Follow Us On Social Media  
#pfeiffervacuum



[www.pfeiffer-vacuum.com](http://www.pfeiffer-vacuum.com)

**PFEIFFER** 